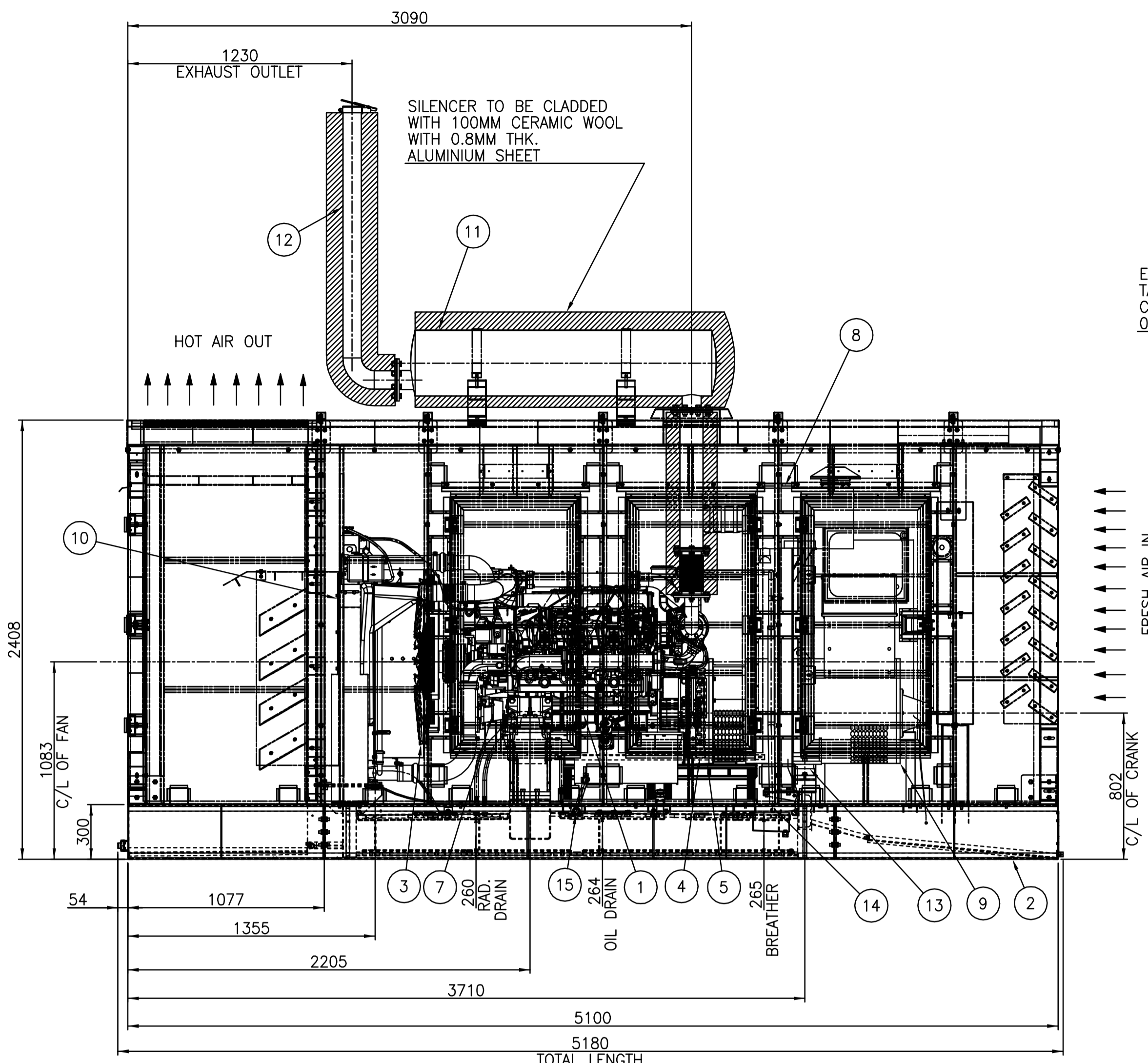
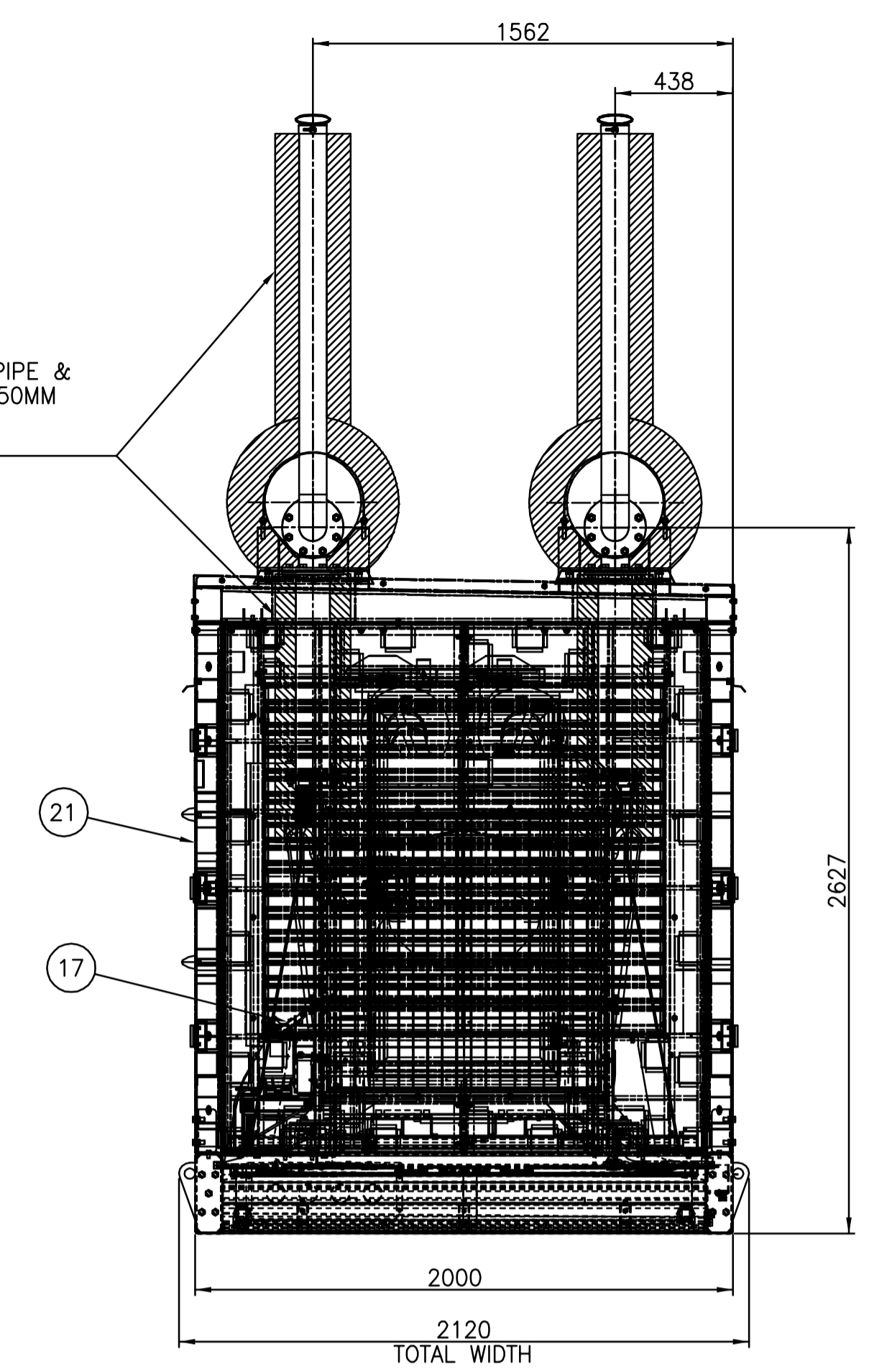


VIEW FROM ALTERNATOR SIDE

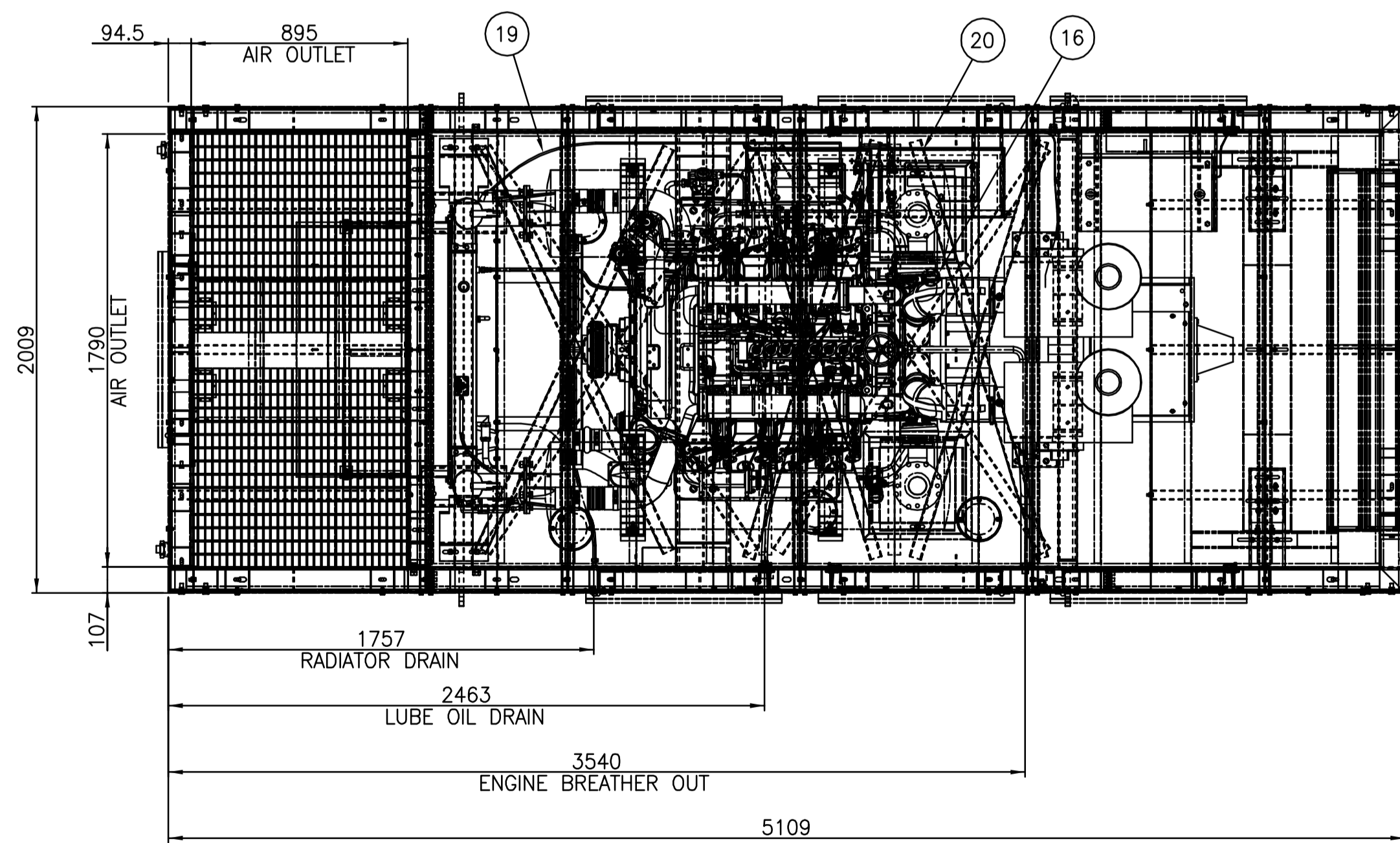


FRONT VIEW

EXPANSION BELLOW, EXTENSION PIPE & TAIL PIPE TO BE CLADDED WITH 50MM CERAMIC WOOL/ROCK WOOL WITH 0.8MM THK. ALUMINIUM SHEET



VIEW FROM GEAR END SIDE



TOP VIEW

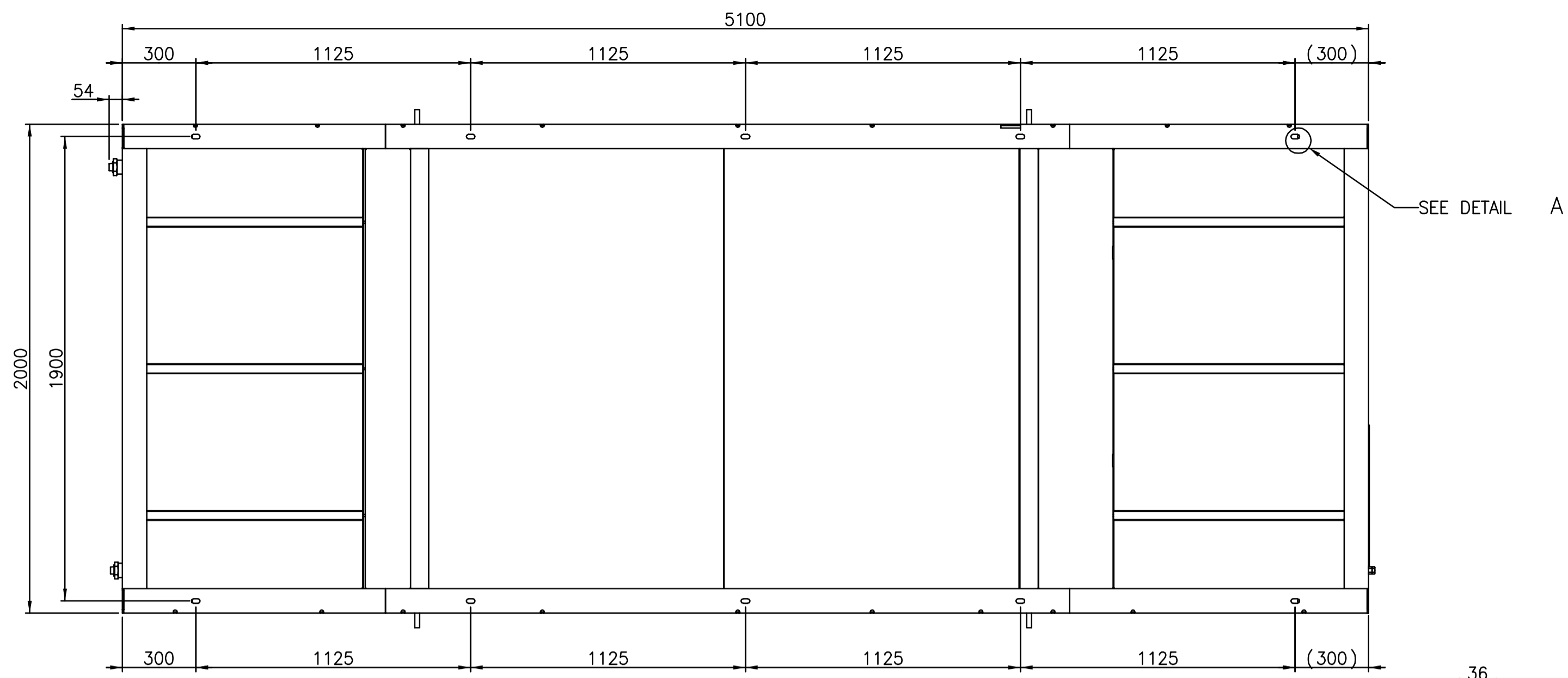
21	CANOPY ASSEMBLY
20	BATTERY & BATTERY CABLE
19	EARTHING CABLE
18	CONTROL PANEL & STAND
17	FUEL PIPING
16	FUEL LEVEL SENSOR
15	LUBE OIL DRAIN
14	BREATHER HOSE
13	AVM ASSEMBLY
12	TAIL PIPE
11	EXHAUST SYSTEM
10	COOLING SYSTEM
9	ALTERNATOR COUPLING
8	AIR CLEANER ASSEMBLY
7	CHARGING ALT. ASSEMBLY
6	STARTER & MTG. ASSEMBLY
5	FLYWHEEL HOUSING ASSEMBLY
4	FLYWHEEL ASSEMBLY
3	FAN & MOUNTING
2	BASE PLATE ASSEMBLY
1	DV8 ENGINE ASSEMBLY
SR. NO.	DESCRIPTION

- NOTES:-
1. OUTER DIMENSION-5180(L)x2120(W)x2908(H)
 2. DOOR HINGES - OUTSIDE
 3. PAINT- POWDER COATING FOR ALL CANOPY PANELS KOEL GREEN (IVORY)
CANOPY TOP,BASE,TANK PEPSI BLUE POWDER COATING
 4. FAN POSITION TO BE MAINTAINED 1/3 OUT OF SHROUD TO MEET PERFORMANCE.

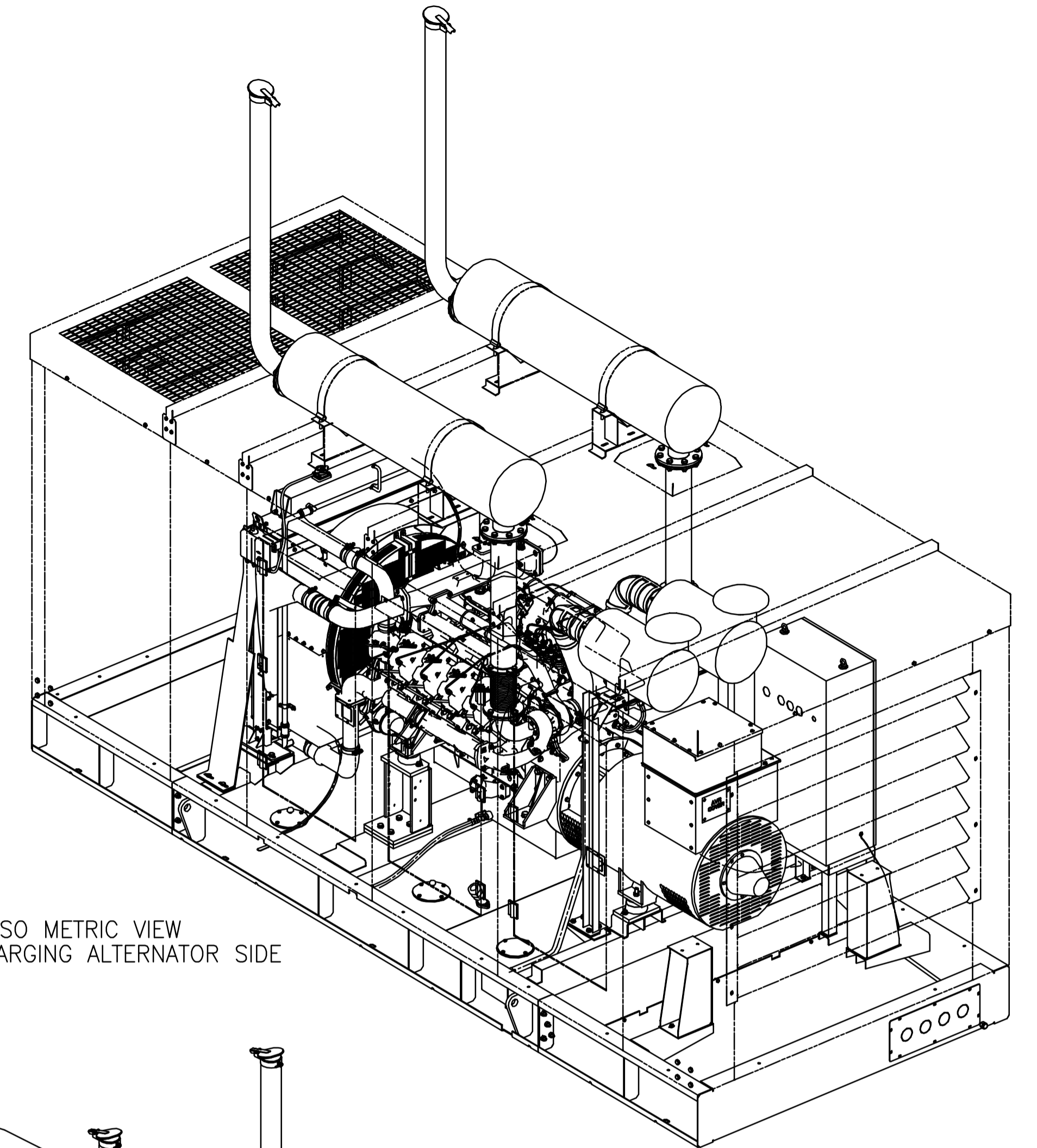
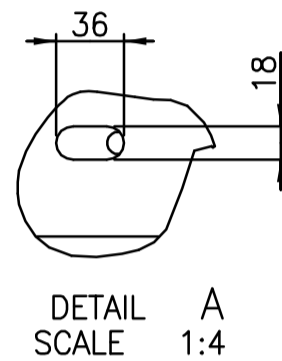
IF IN DOUBT ASK
PRINTS OF PREVIOUS REVISION NO. SHOULD BE SCRAPPED

THIS DRAWING IS PROPERTY OF KIRLOSKAR OIL ENGINES LTD. AND MUST BE RETURNED ON REQUEST. IT IS SUBMITTED AS CONFIDENTIAL INFORMATION WITH OUR ENQUIRY, TENDER, ORDER OR CONTRACT NO. IT IS NOT TO BE ISSUED FOR ANY OTHER PURPOSE OR ORDER NOR MAY BE COPIED OR LENT WITHOUT OUR AUTHORITY IN WRITING.

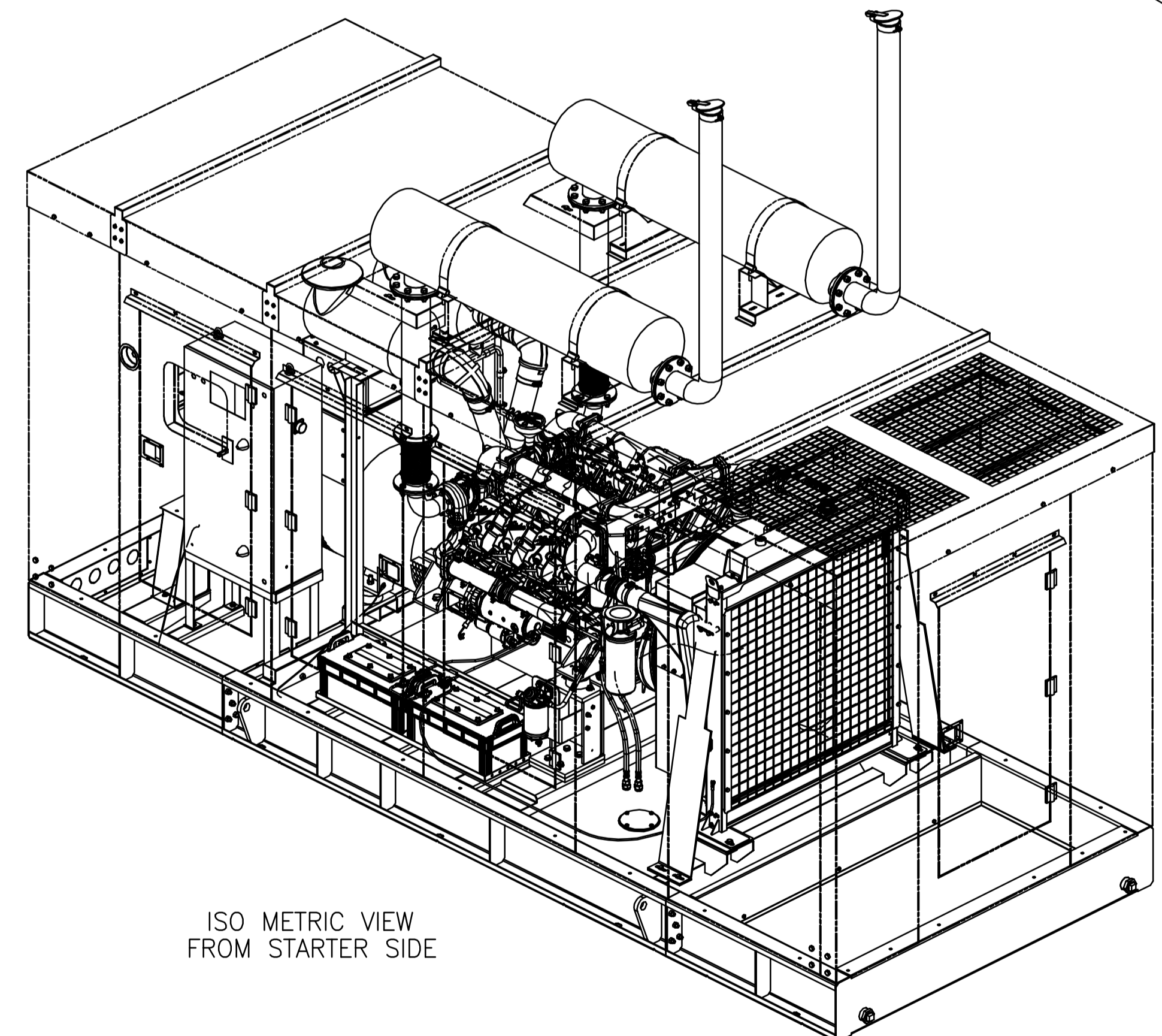
UNLESS OTHERWISE SPECIFIED		CAD DRG. FILE:- PLM		CASTING/FORGING DRG. NO.	
● ALL DIMENSIONS ARE IN mm.		MATERIAL :- AS PER BOM		HEAT TREATMENT :-	
● SURFACE ROUGHNESS AS PER CO. STD.10501.		DRN HARESH		WEIGHT (kg) :-	
● UNMENTIONED TOLERANCES AS PER CO. STD. NO. 11001/ML		CHD. PAT		TYPE DV8	
● REMOVE ALL SHARP BURRS AND SHARP EDGES.		DATE 16/03/2013		SCALE 1:20	
● DRAWING NOT TO BE SCALED.		APPD. JGJ		SHT. NO 1 OF 2	
01 LAYOUT UPDATED AS PER ALPHA 'O'		PNB DV8.0224 13.02.14		TITLE GENSET INSTALLATION	
00 NEW RELEASE		UNMENTIONED		320 KVA	
No. REVISION		RADI		DRAWING NO. DV8.5101.00.00	
ZONE		CHAMFER		REV. NO. 01	
MODIFIED BY		UNDERCUT		KIRLOSKAR OIL ENGINES LTD., PUNE 411 003 (INDIA)	
REF. No. DATE				DRAWING NO. DV8.5101.00.00	
No. REVISION				REV. NO. 01	
ZONE					
MODIFIED BY					
REF. No. DATE					



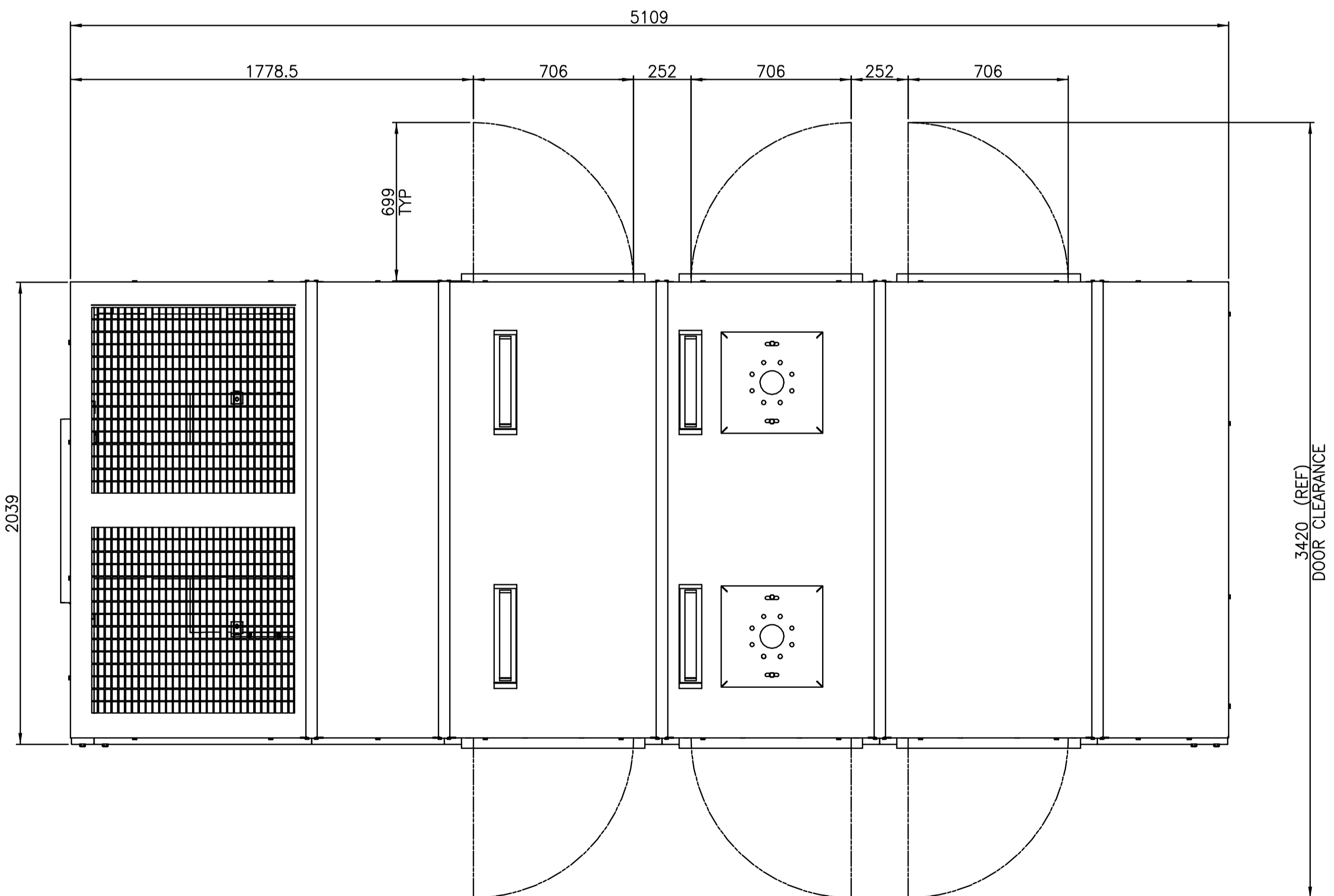
FOUNDATION LAYOUT



ISO METRIC VIEW FROM CHARGING ALTERNATOR SIDE



ISO METRIC VIEW FROM STARTER SIDE



INSTALLATION PLAN FOR OPEN DOORS

IF IN DOUBT ASK
PRINTS OF PREVIOUS REVISION NO. SHOULD BE SCRAPPED

THIS DRAWING IS PROPERTY OF KIRLOSKAR OIL ENGINES LTD. AND MUST BE RETURNED ON REQUEST. IT IS SUBMITTED AS CONFIDENTIAL INFORMATION WITH OUR ENQUIRY, TENDER, ORDER OR CONTRACT NO. IT IS NOT TO BE ISSUED FOR ANY OTHER PURPOSE OR ORDER NOR MAY BE COPIED OR LENT WITHOUT OUR AUTHORITY IN WRITING.
FORMAT No.R&E/FORM/056/01 (REFER DOP No. R&E 4.4/03)

UNLESS OTHERWISE SPECIFIED				CAD DRG. FILE:- PLM				CASTING/FORGING DRG. NO.	
● ALL DIMENSIONS ARE IN mm.				MATERIAL :- AS PER BOM				HEAT TREATMENT :-	
● SURFACE ROUGHNESS AS PER CO. STD.NO.11001.				DRN HARESH				WEIGHT (kg) :-	
● UNMENTIONED TOLERANCES AS PER CO.STD.NO.11001/AL				CHD. PAT				TITLE	
● REMOVE ALL SHARP BURRS AND SHARP EDGES.				APPD. JGJ				GENSET INSTALLATION	
● DRAWING NOT TO BE SCALED.				DATE 16.03.2013				320 KVA	
RADI UNMENTIONED				KIRLOSKAR OIL ENGINES LTD.,				DRAWING NO.	
CHAMFER ---				PUNE 411 003 (INDIA)				REV. NO.	
UNDERCUT ---				DRAWING NO. DV8.5101.00.00				REV. NO. 01	
01 LAYOUT UPDATED AS PER ALPHA '0'		PNB DV8.0224 13.02.14		00 NEW RELEASE		TYPE DV8		SCALE 1:20	
No. REVISION		ZONE		No. REVISION		ZONE		SHT. NO 2 OF 2	

LIFECYCLE STATE:- RELEASED